

DESCRIPTION

AMC MODEL SWN-2184-1A IS A SPST REFLECTIVE PIN-DIODE SWITCH/MODULATOR WITH A FREQUENCY RANGE OF 0.5 TO 18.0 GHz

SPECIFICATIONS

- FREQUENCY RANGE 0.5 TO 18 GHz
- INSERTION LOSS 2.5dB MAX
- ISOLATION 80dB MIN
- VSWR 1.9:1
- RISE TIME 10nS MAX
- DELAY ON/OFF: 60nS MAX
- DC POWER (NO LOAD)
 - +V +5VDC @ 100mA
 - V -5VDC @ 45mA MAXIMUM

AVAILABLE OPTIONS:

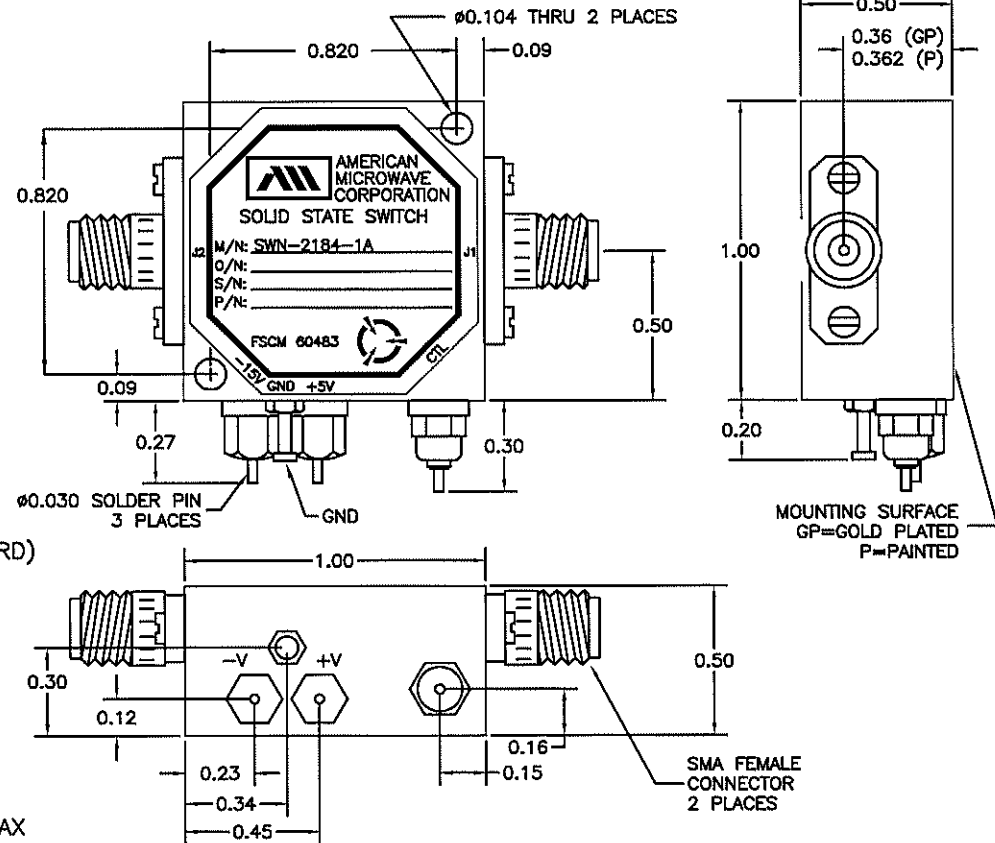
- 001 TWO SMA MALE RF CONNECTORS
- 002 ONE SMA MALE AND ONE SMA FEMALE CONNECTORS
- 003 SMC CONTROL CONNECTOR (SOLDER TYPE IS STANDARD)
- 004 ±15 VOLT POWER SUPPLY REQUIREMENT
- 005 50 OHMS CONTROL IMPEDENCE
- 006 CANNON MULTIPIN MDM9SSP
- 007 INVERTED LOGIC
- 008 EXTENDED FREQUENCY TO 100MHZ
- 010 50 nSEC MAX SWITCHING SPEED (5 WATTS CW MAX)
- 012 2 nSEC MAX SWITCHING SPEED (100MW CW MAX)
- 013 -12 VDC POWER SUPPLY REQUIREMENT
- 103 INTEGRAL VIDEO FILTERS
 - 2-18 GHz INSERTION LOSS INCREASE OF 0.75 dB MAX
- HS HIGH SPEED VARIATION - 20nSEC DELAY
- AT OFF ARM TERMINATION

ENVIRONMENTAL RATINGS

- TEMPERATURE -55°C TO +85°C (OPERATING)
-65°C TO +125°C (STORAGE)
- HUMIDITY MIL-STD-202F, METHOD 103B COND. B
- SHOCK MIL-STD-202F, METHOD 213B COND. B
- VIBRATION MIL-STD-202F, METHOD 204D COND. B
- ALTITUDE MIL-STD-202F, METHOD 105C COND. B
- TEMPERATURE CYCLE MIL-STD-202F, METHOD 107D COND. A

NOTE: SPECIFICATIONS WILL VARY OVER OPERATING TEMPERATURE
NOTE: THE ABOVE SPECIFICATIONS ARE SUBJECT TO CHANGE OR REVISION

REVISIONS				
ZONE	REV.	DESCRIPTION	DATE	APPROVED
	-	ORIGINAL RELEASE	11/29/07	



AMERICAN MICROWAVE CORPORATION

7311-G GROVE ROAD
FREDERICK, MARYLAND 21704 USA
TEL: 301-662-4700 FAX: 301-662-4938
WEBSITE: www.americanmicrowavecorp.com
E-MAIL: sales@americanmicrowavecorp.com
ISO 9001:2000 CERTIFIED



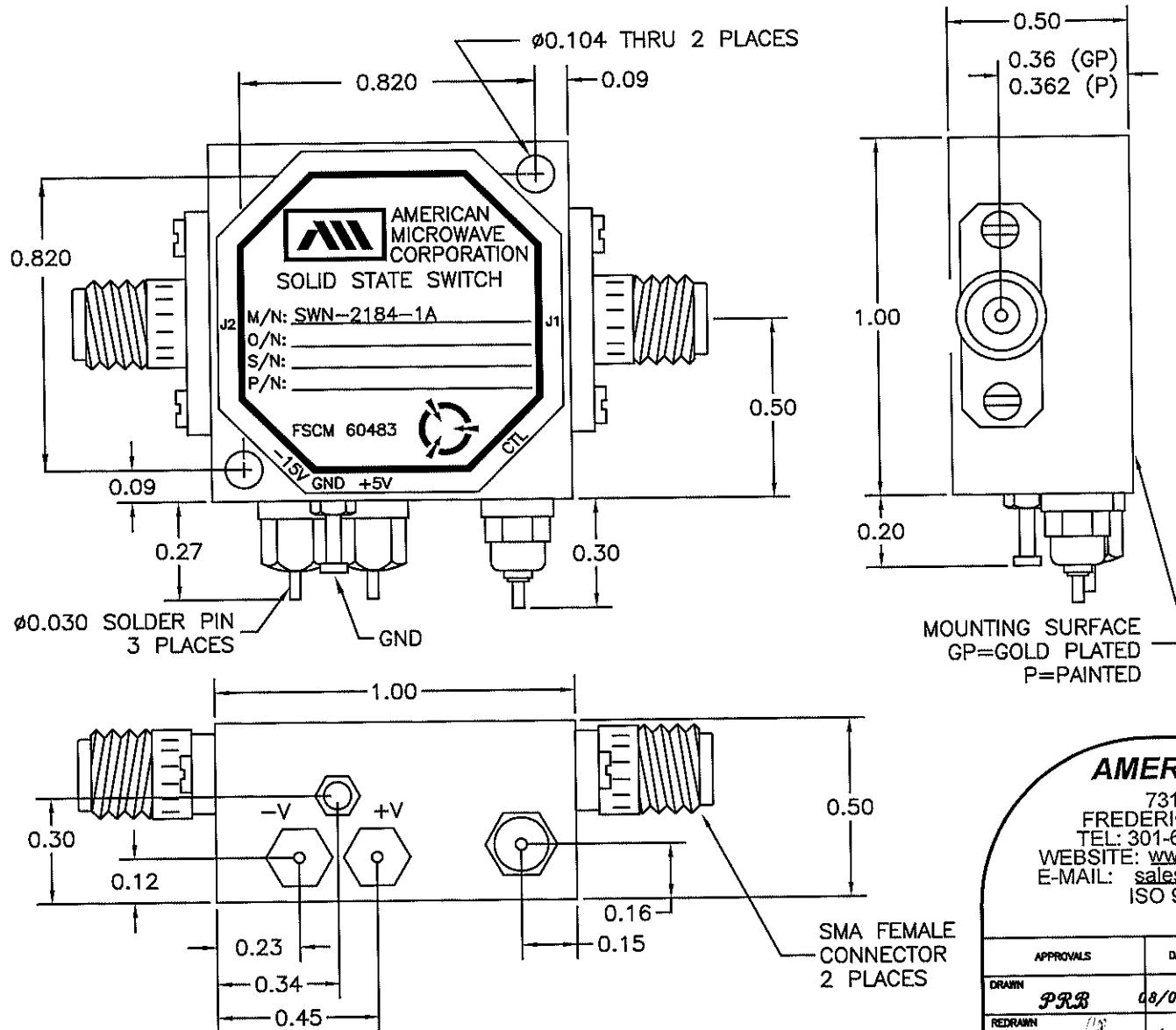
APPROVALS		DATE	TITLE			REV.
DRAWN	PRB	08/08/06	PRODUCT FEATURE SWN-2184-1A			
REDRAWN	RA	09/12/06	0.5 TO 18.0 GHz SPST REFLECTIVE PIN-DIODE SWITCH	SIZE	FSCM NO.	DWG NO.
ISSUED			A	60483	100-6986-3	-
			SCALE	N:S	SHEET 1 OF 4	

ALL DIMENSIONS ARE IN INCHES
TOLERANCES:
X.XX ±0.020
X.XXX ±0.010

DESCRIPTION

AMC MODEL SWN-2184-1A IS A SPST REFLECTIVE PIN-DIODE SWITCH/MODULATOR WITH A FREQUENCY RANGE OF 0.5 TO 18.0 GHz

MECHANICAL OUTLINE



ALL DIMENSIONS ARE IN INCHES
 TOLERANCES:
 X.XX ±0.020
 X.XXX ±0.010

AMERICAN MICROWAVE CORPORATION

7311-G GROVE ROAD
 FREDERICK, MARYLAND 21704 USA
 TEL: 301-662-4700 FAX: 301-662-4938
 WEBSITE: www.americanmicrowavecorp.com
 E-MAIL: sales@americanmicrowavecorp.com
 ISO 9001:2000 CERTIFIED

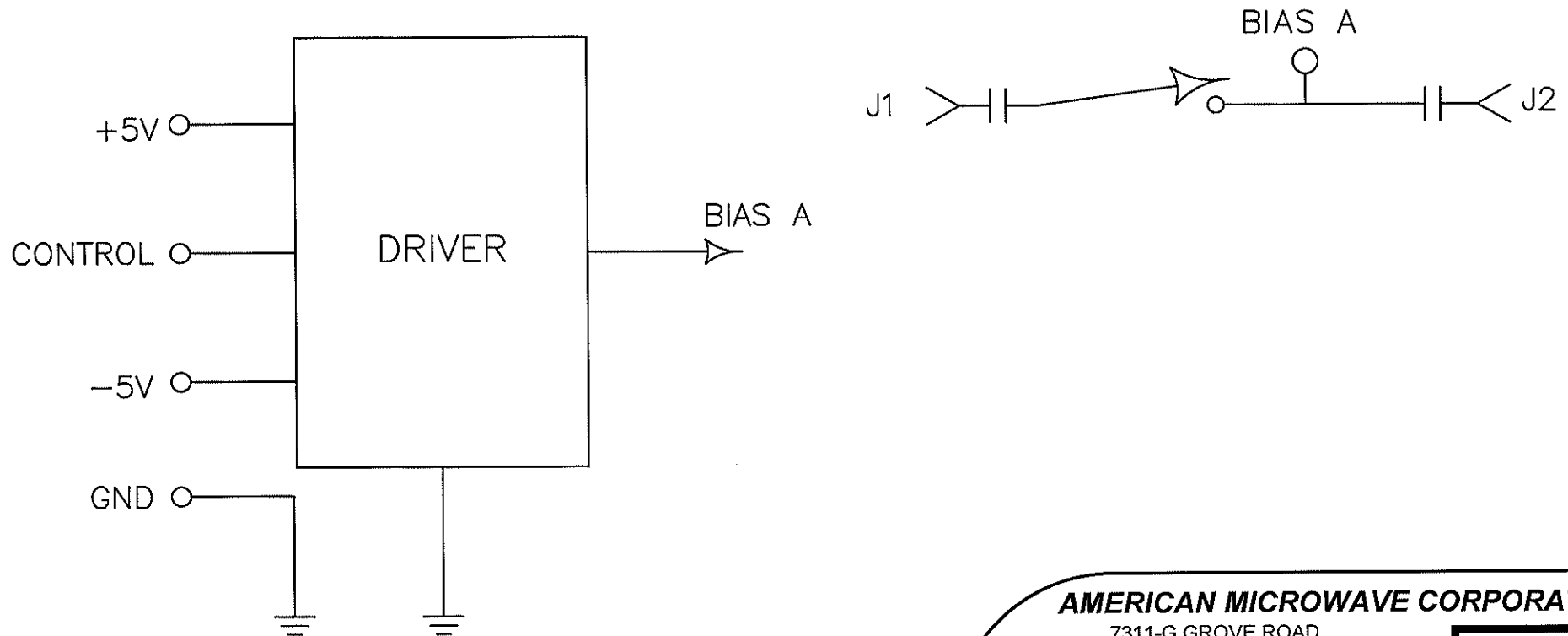


APPROVALS		DATE	TITLE		
DRAWN	<i>PRB</i>	08/08/06	PRODUCT FEATURE SWN-2184-1A		
REDRAWN	<i>AF</i>	9/12/06	0.5 TO 18.0 GHz SPST REFLECTIVE PIN-DIODE SWITCH	REV.	-
ISSUED			SIZE A	FSCM NO. 60483	DWG NO. 100-6986-3
			SCALE N:S	SHEET 2 OF 4	

DESCRIPTION

AMC MODEL SWN-2184-1A IS A SPST REFLECTIVE PIN-DIODE SWITCH/MODULATOR WITH A FREQUENCY RANGE OF 0.5 TO 18.0 GHz

FUNCTIONAL BLOCK DIAGRAM



CONFIDENTIAL AND PROPRIETARY

AMERICAN MICROWAVE CORPORATION

7311-G GROVE ROAD
 FREDERICK, MARYLAND 21704 USA
 TEL: 301-662-4700 FAX: 301-662-4938
 WEBSITE: www.americanmicrowavecorp.com
 E-MAIL: sales@americanmicrowavecorp.com
 ISO 9001:2000 CERTIFIED



APPROVALS		DATE	TITLE			
DRAWN		08/08/06	PRODUCT FEATURE			
PRB			SWN-2184-1A			
REDRAWN		9/12/06	0.5 TO 18.0 GHz SPST REFLECTIVE PIN-DIODE SWITCH			
ISSUED			SIZE	FSCM NO.	DWG NO.	REV.
			A	60483	100-6986-3	---
			SCALE	N:S		SHEET
					3 OF 4	